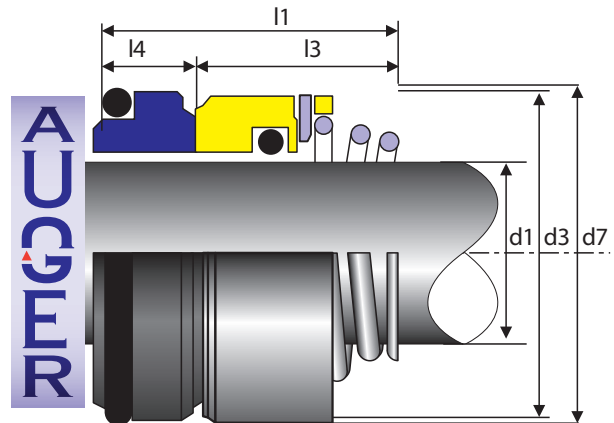


▶ AUGER SEAL TYPE AM3

▼ WE SEAL PUMPS!



Dimensions in millimeters

Diameter d1	d3	d7	l3	l4	l1
10	19,00	19,20	15,50	7,10	22,60
12	20,00	21,60	15,50	7,60	23,10
14	23,00	24,60	15,50	7,60	23,10
15	24,00	24,60	15,50	8,60	24,10
16	26,00	28,00	17,50	9,00	26,50
18	29,00	30,00	18,50	10,00	28,50
19	31,00	31,00	20,00	9,00	29,00
20	31,00	35,00	20,00	9,50	29,50
22	33,00	35,00	21,50	9,50	31,00
24	35,00	38,00	23,00	9,50	32,50
25	36,00	38,00	24,50	9,50	34,00
26	36,00	40,00	24,50	10,00	34,50
28	40,00	42,00	24,50	11,00	35,50
30	43,00	45,00	24,50	11,00	35,50
32	46,00	48,00	28,00	11,00	39,00
35	49,00	52,00	28,00	11,50	39,50
38	53,00	55,00	31,00	11,50	42,50
40	56,00	58,00	34,00	11,50	45,50
42	59,00	62,00	35,00	14,30	49,30
43	59,00	63,00	35,00	14,30	49,30
45	61,00	64,00	36,50	14,30	50,80
48	64,00	68,40	42,00	14,30	56,30
50	66,00	69,30	43,00	14,30	57,30
55	71,00	75,40	47,00	15,30	62,30
58	76,00	78,40	50,00	15,30	65,30
60	78,00	80,40	51,00	15,30	66,30
65	84,00	85,40	52,00	15,30	67,30
68	87,00	91,50	53,00	16,00	69,00
70	90,00	92,00	54,00	15,30	69,30
75	98,00	99,00	55,00	15,30	70,30
80	100,00	104,00	58,00	16,30	74,30

SPECIFICATIONS

- P max: 10 bar
- T°C: -20 ~ 120 °C
- Single directional

APPLICATIONS

- Din Pumps
- water pumps

MATERIALS

- Rotary: Stainless steel
- Seat: carbon
- O-Rings: Viton, EPDM, NBR

REMARKS

- Also available AM3N and other dimensions and stationary parts
- Standard with right spring

AUGER_{N.V.}

Kemelbeekstraat 30 - 2460 TIELEN - Belgium

T +32 (0)14 86 03 55 E info@auger.be W www.auger.be